

## F70 Push synchronizer

The synchronisation system for Push-open F70 runners has been developed to ensure that drawers of any width can be opened with minimum effort.

The system links the two runners, which thus become a single element; a pressure at any point of the drawer frontal (even at the extremities), is sufficient for the Push mechanism to release and consequently for the drawer to self-open.

The synchroniser can be used with any drawer width; its functionality is at its best with wider drawers. It can be used on drawers of any width; however, it is recommended for drawers over 80 cm in width.

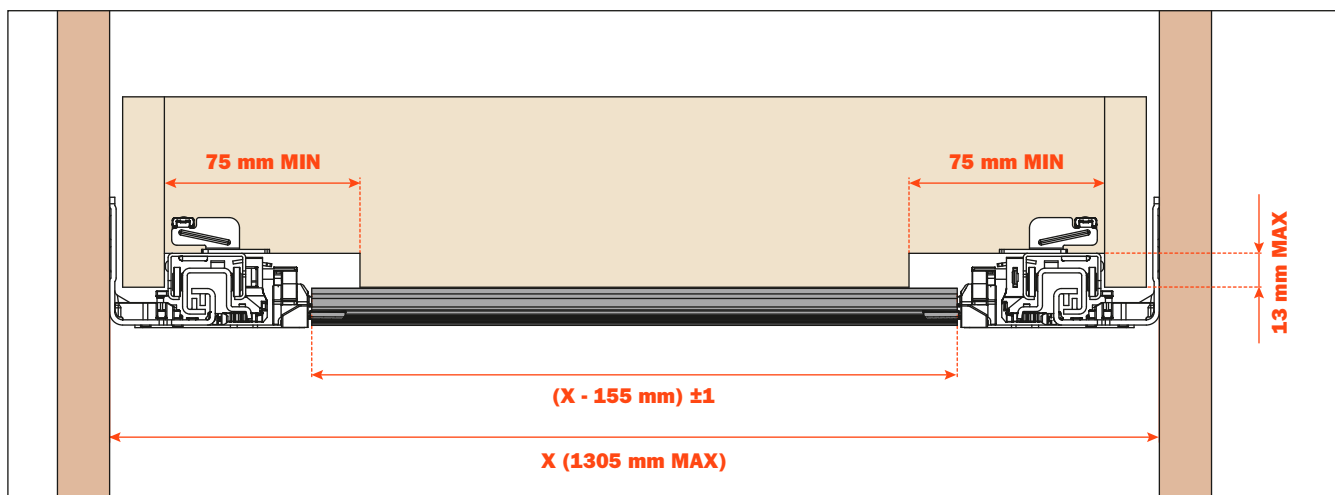
### PRODUCT FEATURES:

- perfectly silent sliding movement
- available on all runner lengths
- min. width of the cabinet (X) = 280 mm
- max. width of the cabinet (X) = 1305 mm
- bar length = 1150 mm (to cut to length)



## Technical information - Formula for cutting the bar to length

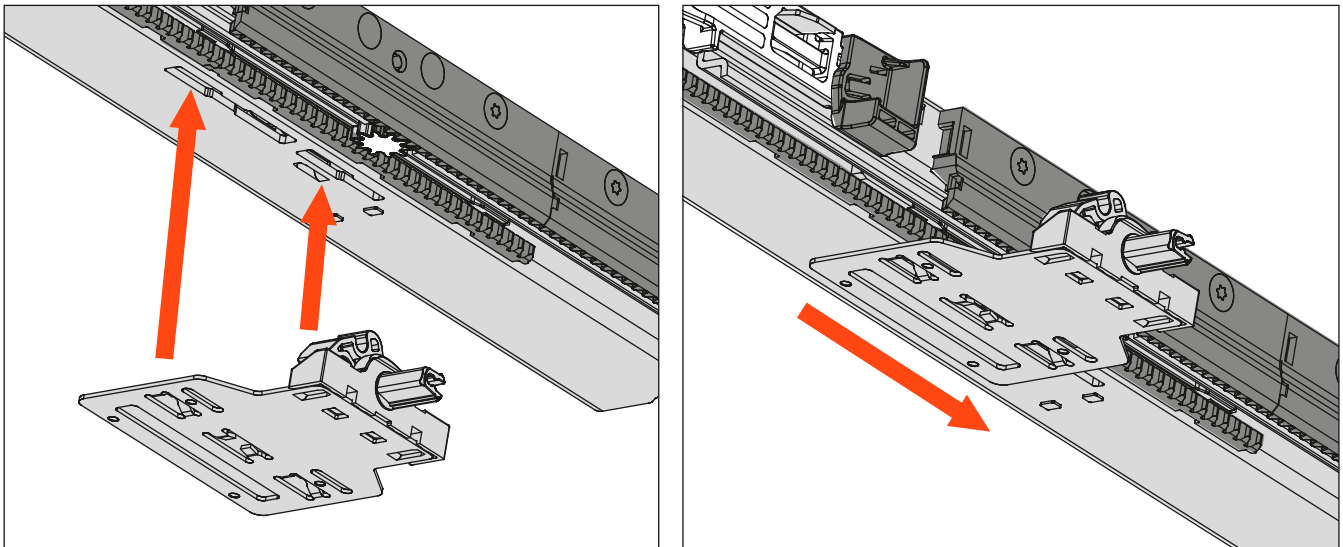
The assembly of the synchroniser requires a minimum 75 mm groove in the rear of the drawer



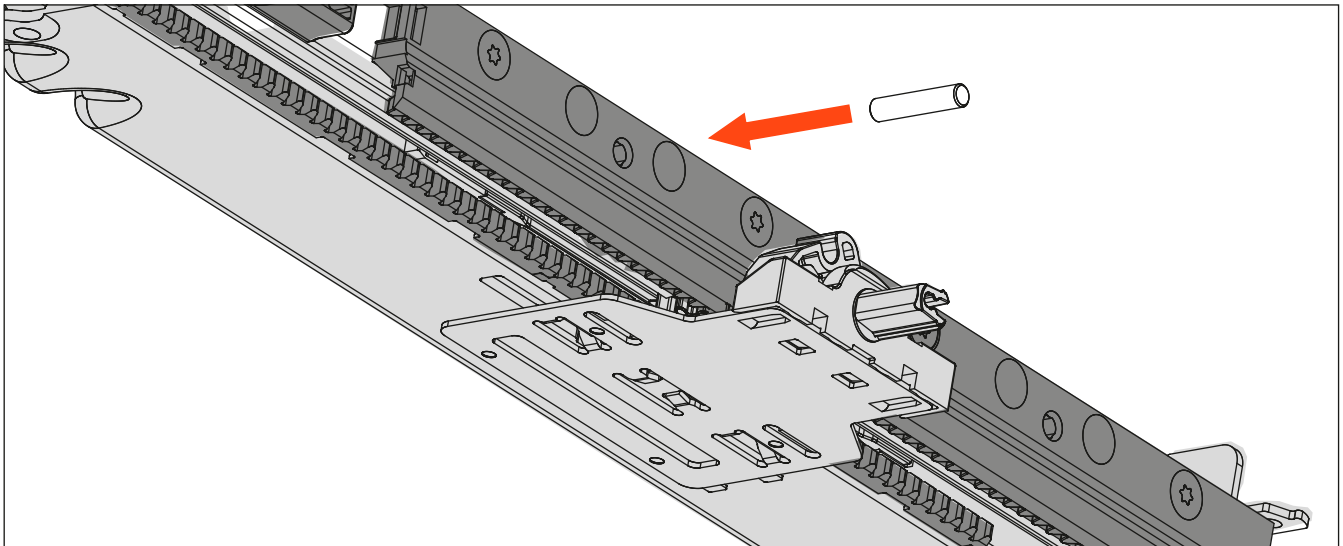
**X = Internal width of the cabinet**

## Assembly instructions

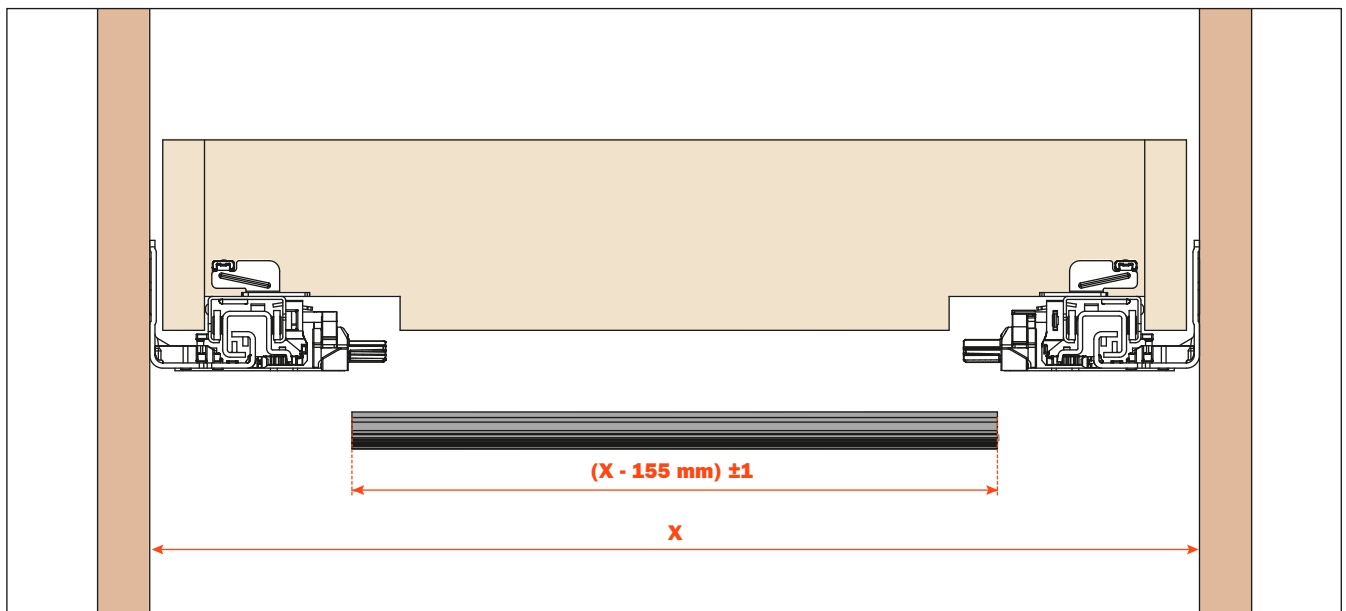
Insert and slide the carrier plates into position on the runners in the direction indicated by the arrows



Fitting the driver pins to the runners

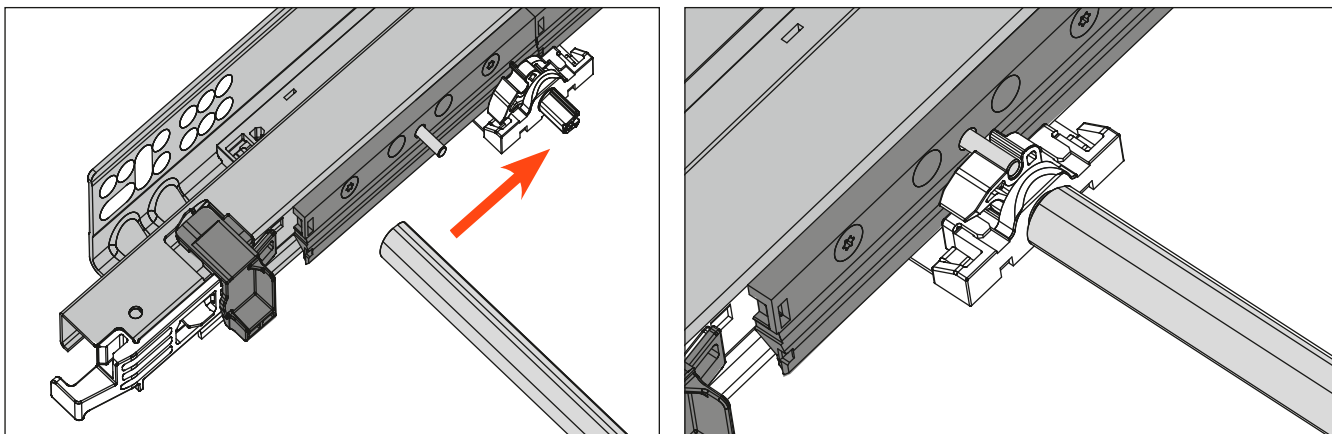


Cut the stabiliser bar to length

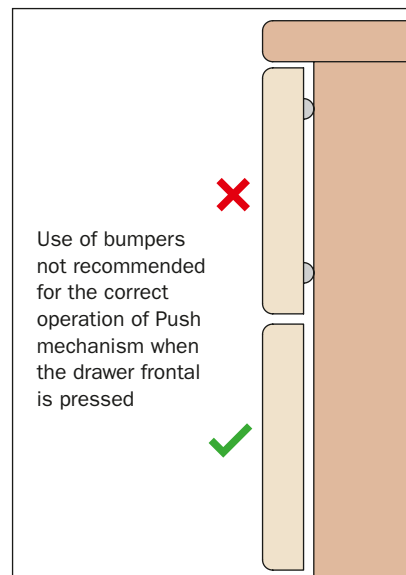


## F70 Push synchronizer - Assembly instructions

Fix the bar to the plates and insert the drawer



A pressure at any point on the drawer frontal is sufficient for the drawer to self-open



## Packing

### INDUSTRIAL PACKING

#### APKI7X51150

PACKING

1 pallet = 100 kits

1 KIT CONTAINS:

- 1 box = 100 stabiliser bars and 200 driver pins
- 1 box = 100 right carrier plates
- 1 box = 100 left carrier plates



### SINGLE PACKING

#### APKF7X51150

PACKING

1 box = 20 single kits

1 KIT CONTAINS:

- 1 stabiliser bar
- 2 driver pins
- 1 right carrier plate and 1 left carrier plate

